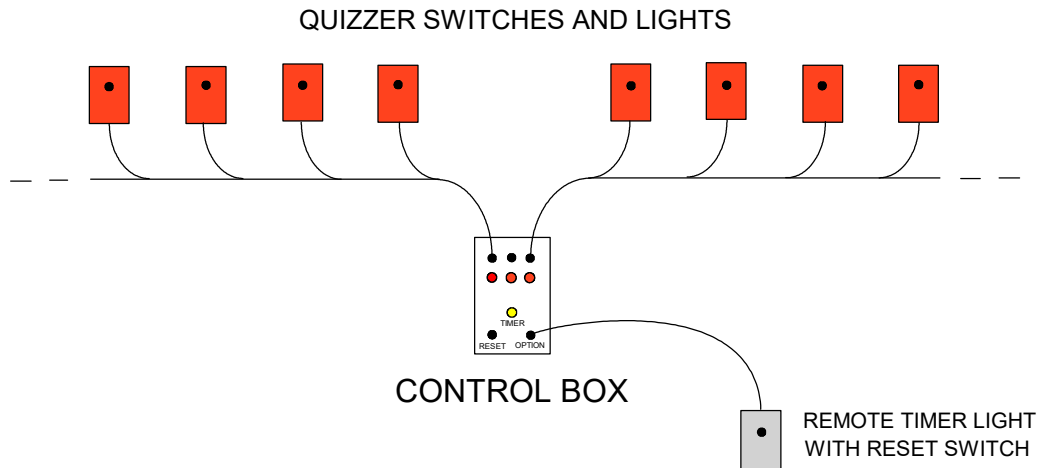


NATIONAL BIBLE BOWL QUIZBOX SYSTEM



This quiz system will indicate the first quizzer to respond by turning on their light, locking everybody else out, and sounding a tone. Their response also starts a built-in timer, counting down the 3 seconds to speak.

While the picture shows 2 teams of 4, the control box can handle up to 3 teams, each with many contestants, so you can have large practices or quizzes if extra quizzer stations are purchased.

The quizzer stations have a built-in switch and 4 LEDs aimed to shine out the front, so the audience gets a clear indication of who responded first. Quizzer stations can be red, blue or green.

Each team gets a breakout cable that up to 5 quizzer stations can plug into. To expand the team more than 5 quizzers, you will need more breakout cables or individual splitter (“Y”) cables.

Warranty: 2 years on the Control box and quizzer stations, except for abuse or user modifications. 90 days on the AC adapter and cables. (No workmanship is involved on my part, and I can’t control how you treat them.) Shipping will be charged for repairs done under warranty.

Price List	7/1/2023*
Control Box, remote timer light and 8 quizzer stations	\$334.00
Extra quizzer stations (each)	\$26.00
Replacement AC adapter	\$12.00
Replacement breakout cables	\$10.00
Shipping & Handling	Typically \$21.00

* If this price list is more than six months old, get updated pricing. Prices do not include shipping.
MN residents add sales tax

Quiz Equipment LLC
Steve Kirkman
736 Ashley Drive
Chaska, MN 55318
248-398-1161
www.QuizEquipment.com
kirkmans@aol.com

Basic price for 2 teams of 4:

Control Box w/ remote:	\$126.00
8 Quizzer Stations:	\$208.00
Shipping & handling:	\$ 21.00

Total	\$355.00